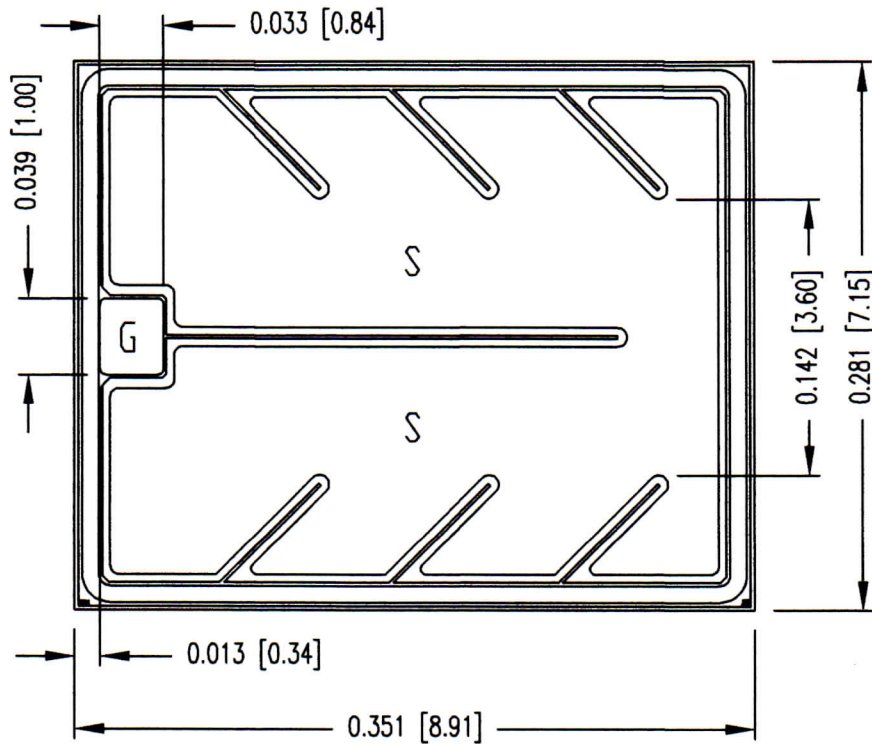




Sierra Components, Inc.

2222 Park Place • Suite 3E • Minden, Nevada 89423
Phone: 775.783.4940 Fax: 775.783.4947



Top Material: Al
Backside Material: Ti/Ni/Ag
Bond Pad Size: .004 x .004"
Backside Potential: Drain
Mask Ref: DI 0147

APPROVED BY: JK

DIE SIZE : .281 x .351"

DATE: 1/10/14

MFG: IXYS

THICKNESS: .008"

P/N:IXTR48P20P